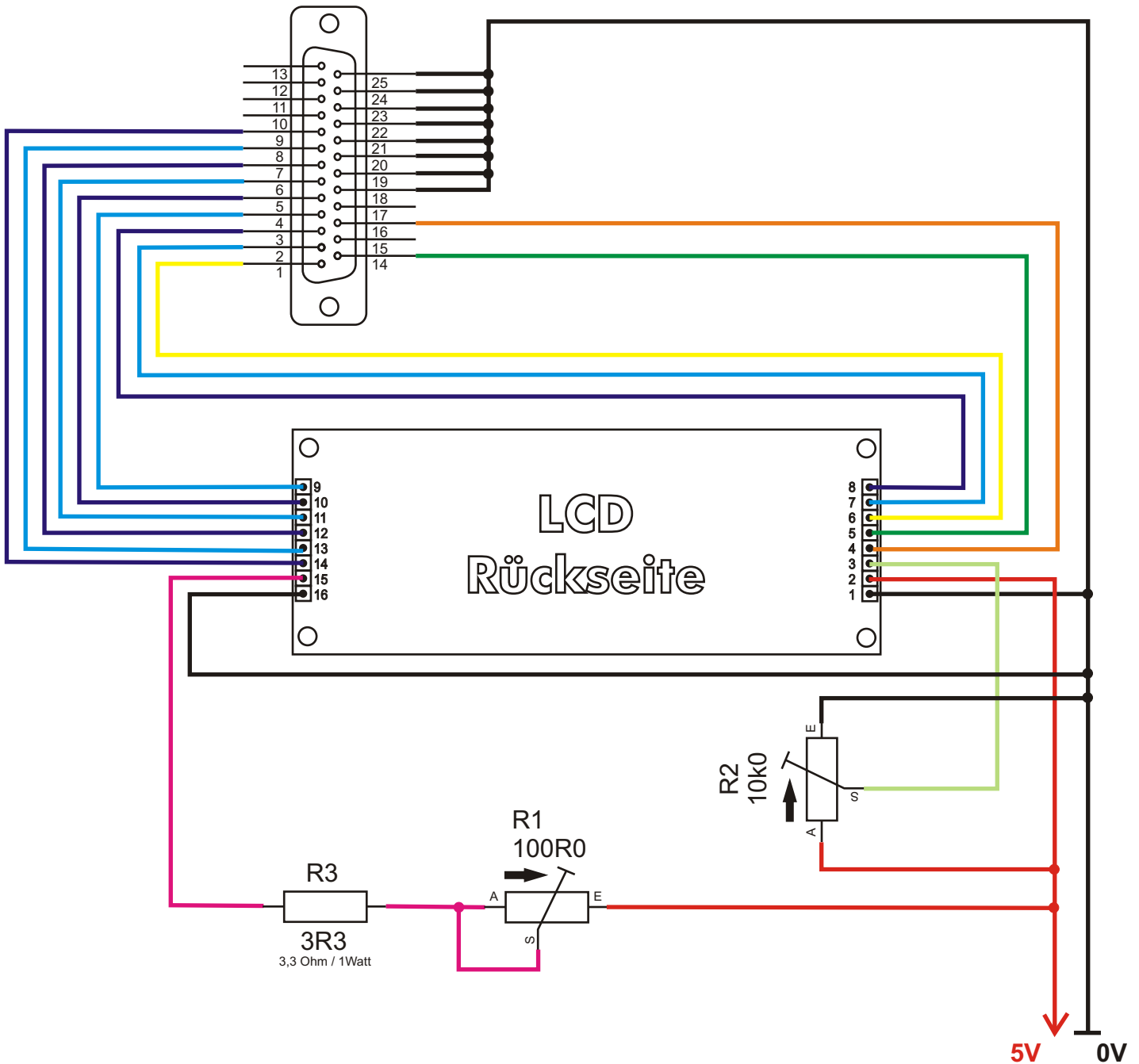


# LCD – Modul 4x20 weiß/blau

Schaltplan  
ohne Hintergrundbeleuchtungskontrolle  
über Software (jaLCDs und LCD Smartie)



PIN	SYMBOL	SIGNAL DESCRIPTION
1	GND	Ground
2	Vdd	Power Supply for Logic.
3	V5	Operating Voltage for LCD.
4	RS	Register Select. H: Data Code Input; L: Instruction Code Input.
5	R/W	Read/Write. H: Read Operation; L: Write Operation
6	E	Enable
7 to 14	DB0 to DB7	Data Bus for 4 Bit or 8 Bit Mode
15	LEDA	LED Backlight Power Supply (+3.4v).
16	LEDK	LED Backlight Power Supply (GND).